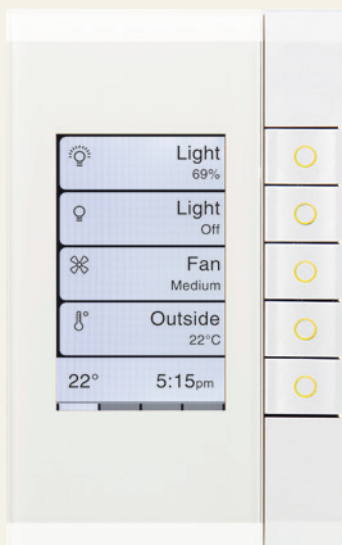


CLIPSAL[®]

by Schneider Electric



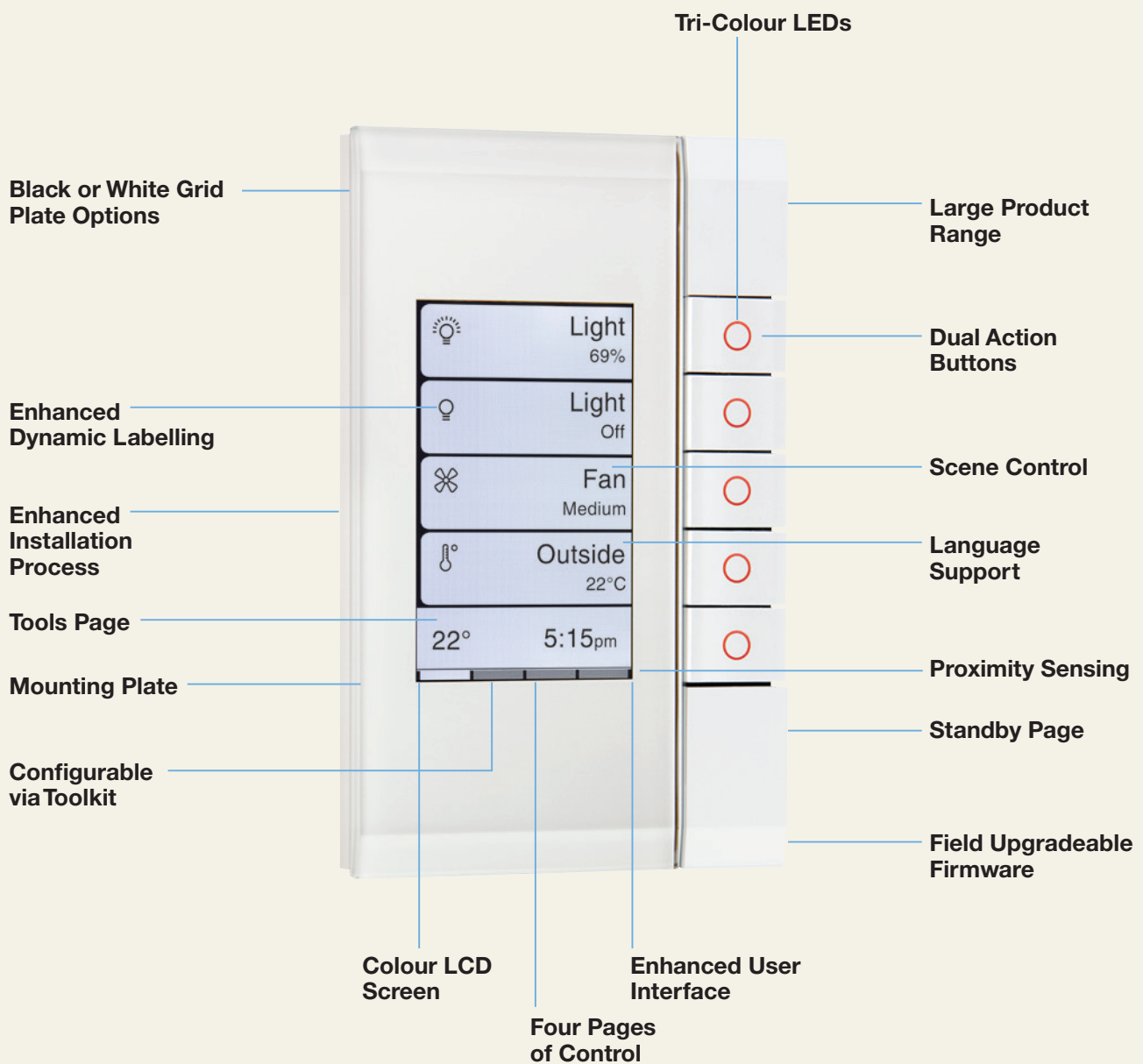
eDLT™ ... the best just got better.

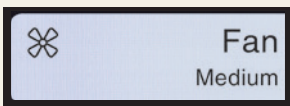
A New Era in Wall Switches

The C-Bus enhanced Dynamic Labelling Technology (eDLT) switch builds on the success of the C-Bus DLT™ switch, by enhancing it to a whole new level. With enhanced colour, control and functionality the eDLT offers a huge range of installer and user benefits that enable the eDLT to display C-Bus system information that would usually require a touch screen.

C-Bus[®]

clipsal.com



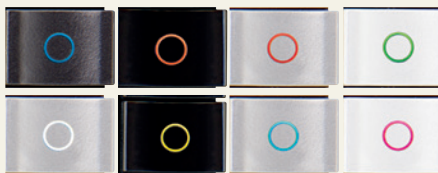


Enhanced Dynamic Labelling

The eDLT can do much more than just label the switch. It also has the ability to show the state of the device being controlled, even when it has more than one state, such as a ceiling fan. The eDLT can show that a switch is controlling a fan as well as the low, medium or high speed as a secondary text field. This feedback can be used for devices like blinds or curtains to show their state, or the level of controlled devices, such as the brightness percentage of a light.



The eDLT includes a range of complementary icons that can be applied to each device being controlled. Most of the icons can also display the state of the device they are controlling. Sometimes, a device may not have the ability to be controlled but can be indicated on the eDLT, such as a temperature sensor. The temperature reading can be displayed, along with the location of the sensor and other useful information, such as prefix or suffix text. The ability to display measurements can also be applied to information like power usage or rainfall.



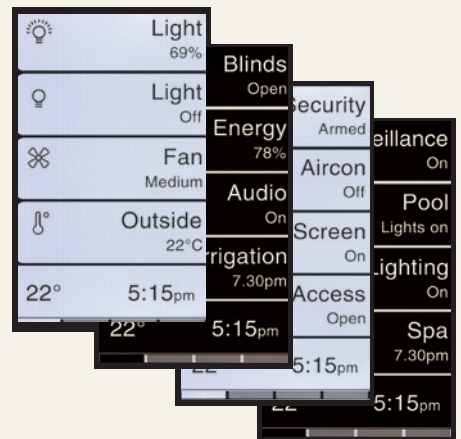
Tri-Colour LEDs

The LED indicators can be set to one of eight colours for the ON and OFF state of a device being controlled. The selected colour is set across the device, making the colour for ON or OFF the same for each button. The colour selection includes blue, orange, red, green, white, yellow, cyan or magenta.

The LED colour can also display the state of a device, or change based on a C-Bus event (in the same way as the background colour can). Either the screen or LED colour can provide this feature, but not both at the same time.

Four Pages of Control

The eDLT includes four pages of controlled devices with up to four devices per page. The fifth position on each page displays which page is active, with the option of displaying time and date or the temperature of a zone. The dual action button allows the user to cycle forwards or backwards through the pages. If only five devices are controlled, the page navigation option can be replaced with a fifth key function on the single page. The time and date can still be displayed in standby if desired.



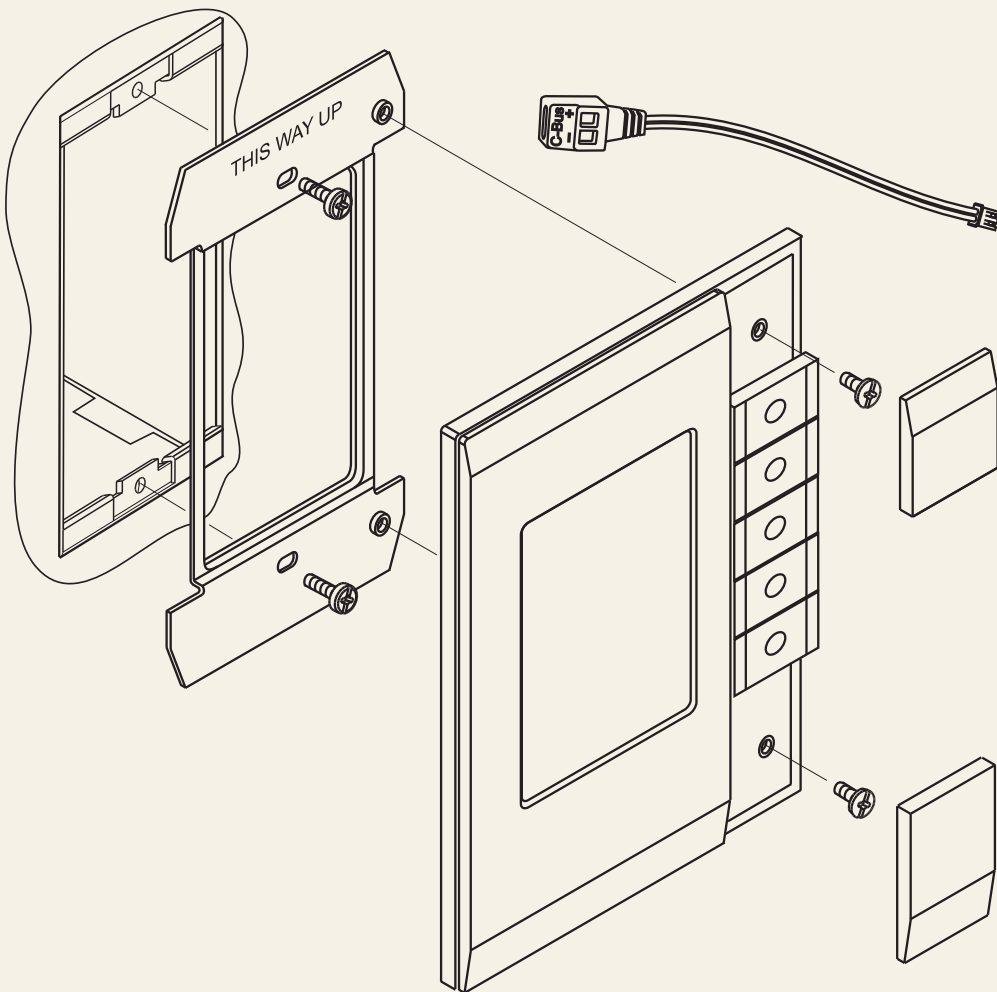
LCD Screen

The colour eDLT screen allows the installer to select from a range of background and foreground (text and icon) colours to suit the customers' requirements. To maintain the integrity of the user interface (UI), colour variants are limited. The background and foreground colours can also be set and change based on a C-Bus event.

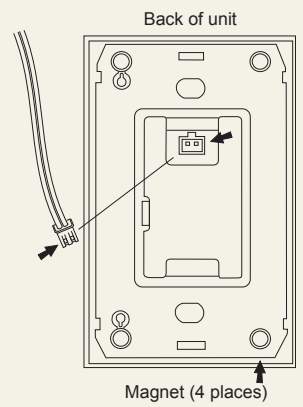
For example: when C-Bus is used to monitor power usage, the screen can represent consumption levels in various colours, such as green (low), yellow (medium) and red (high). Furthermore, the screen colour can be used to indicate whether a security system is armed or disarmed (when a C-Bus compatible security system is installed).

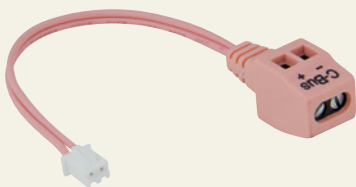


Exploded View



Back of Unit





Installation Process

From the outset, the physical installation process has been enhanced, with a plug-in fly-lead that allows the installer to prepare the C-Bus cable for final fit-off. The actual cable termination can take place at the same time as the wall preparation, which may be well before the installation of the product occurs, or even before painting. Installation of the eDLT's mounting plate to the wall can also take place at this time.

Both the fly-lead and mounting plate can be purchased separately and ahead of time, so they can be installed even before the eDLT has been purchased. Should the eDLT be installed in a location where unauthorised removal of unit may be a problem, it can be fastened to the mounting plate with screws.



Mounting Plate

Once the mounting plate is in place, the eDLT is attached to the wall using neodymium magnets that are embedded into the body of the eDLT wall switch. This ensures the eDLT snaps quickly and securely in place, allowing easy installation of the unit.

Furthermore, the eDLT is easily removed from the mounting plate and unplugged from the C-Bus network, should the installer intend on testing the integrity of the network connection, and return with the C-Bus hardware for final handover at a later date.

Dual Action Buttons

Each eDLT button is a dual action button. The left/right rocking action allows the buttons to perform different functions, depending on which direction they're operated. This is particularly useful when dimming lights up or down or controlling the volume of music. Like with all C-Bus switches, a short press can toggle the controlled device to its opposite state, such as switching a light on or off.

The buttons are also easily programmed so that the left function switches a light on or off, while the right function can activate a timer. The left/right function can cycle through fan speeds or through scenes that are stored in the eDLT. Once the desired scene appears, the user can stop cycling through the options, and that particular scene will be activated. This also applies to cycling through radio stations when using C-Bus Multi-Room Audio.

Field-Upgradeable Firmware

The eDLT includes a mini USB port on the back of the unit, enabling the installer to update features as they are developed in the future.

Updating the firmware through this port requires a direct connection to a PC running C-Bus Toolkit Software, as the large amount of data would take a significant amount of time to update through a C-Bus connection.



Pure White (PW)



Ocean Mist (OM)



Stainless Steel (SS)



Espresso Black (EB)



Horizon Black (HB)

Standby Page

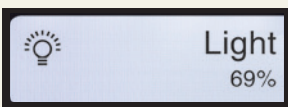
The measurement information is not just reserved for positions on eDLT pages, but can be displayed on the eDLT's standby page, after a period of inactivity. Other information, such as the current time or date can also be displayed on the standby page. This is particularly useful in areas like bathrooms, where a clock is often required but seldom found.

Proximity Sensing

The proximity sensor can wake up the eDLT from standby, which activates when the user's hand comes within 5cm of the screen. Depending on the user's preference, the last used page or a predefined page will appear.

Language Support

The eDLT supports extended character sets for many languages. The full Cyrillic character set is included so that languages, such as Russian, can be natively used. The eDLT also includes over 3,500 characters of simplified Chinese.



Enhanced User Interface

The user interface (UI) is designed to make operation of the eDLT more intuitive for the user. The UI is consistent across all pages and relates the information presented for each device being controlled to the buttons located on the right of the eDLT.

Native Control of C-Bus Multi-Room Audio (MRA)

The C-Bus MRA system communicates natively with the eDLT. There is no longer a requirement to configure the MRA amplifiers with group address information when controlled by an eDLT. It only needs to know the MRA amplifier zone number and it will communicate directly to control volume, bass, treble and balance, as well as source selection and transport control.

Tools Page

The homeowner can use the eDLT Tools Page to make small changes, without the need to reprogram the eDLT. This includes time, date and colours of LED indicators and screen or labels for the devices being controlled. The Tools option also allows the installer to check some simple diagnostics information, such as the C-Bus unit address, serial number or voltage.

The same installer page is presented upon power up on all units that have not had a program loaded, along with a message the unit has not been programmed. The installer can easily identify an un-programmed unit on a network and see the unit address, serial number and voltage without removing the unit from the wall or starting C-Bus Toolkit software.

Configurable via Toolkit

C-Bus Toolkit configuration software is used to program the eDLT. Toolkit offers the installer a 'what you see is what you get' (WYSIWYG) user interface, which greatly assists with configuration. The installer can view the UI screen in Toolkit to see exactly what the eDLT will look like when the configuration program is transferred. This greatly reduces configuration time, especially when the installer is trying to achieve a particular visual effect.

Toolkit also uses intelligent algorithms to check differences in the eDLT being configured, and what is currently in the PC programming it – only transferring information where there are differences. This also significantly reduces the transfer time from the programming PC to the eDLT unit.

When Toolkit tries to retrieve the configuration, it will first check the version in its database against the version in the eDLT. If the two versions are the same, Toolkit will instantly retrieve detail from the database instead of retrieving it from the unit, reducing programming time. The algorithm will also check differences in the units and database, only retrieving the necessary detail.



Horizon Black (HB)



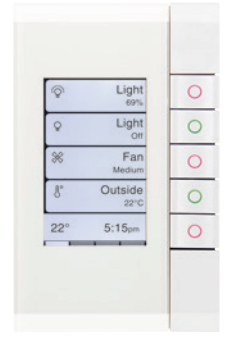
Espresso Black (EB)



Stainless Steel (SS)



Ocean Mist (OM)



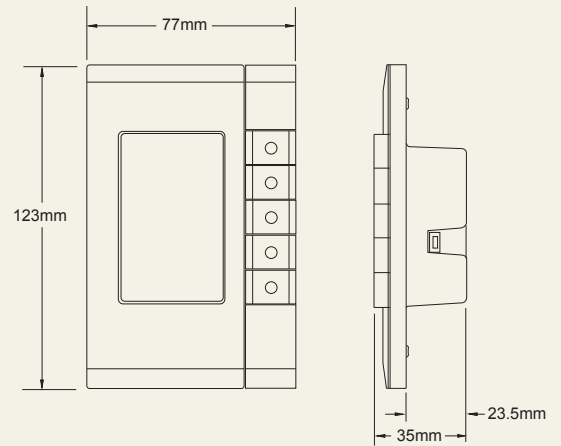
Pure White (PW)

Catalogue Numbers

Cat. Number	Description
5085EDLB-PW	C-Bus enhanced DLT, Saturn wall switch. Black grid, Pure White glass fascia, white buttons.
5085EDLW-PW	C-Bus enhanced DLT, Saturn wall switch. White grid, Pure White glass fascia, white buttons.
5085EDLB-OM	C-Bus enhanced DLT, Saturn wall switch. Black grid, Ocean Mist glass fascia.
5085EDLW-OM	C-Bus enhanced DLT, Saturn wall switch. White grid, Ocean Mist glass fascia.
5085EDLB-EB	C-Bus enhanced DLT, Saturn wall switch. Black grid, Espresso Black glass fascia, black buttons.
5085EDLW-EB	C-Bus enhanced DLT, Saturn wall switch. White grid, Espresso Black glass fascia, black buttons.
5085EDLB-CM	C-Bus enhanced DLT, Saturn wall switch. Black grid, Cream glass fascia.
5085EDLW-CM	C-Bus enhanced DLT, Saturn wall switch. White grid, Cream glass fascia.
5085EDLB-BR*	C-Bus enhanced DLT, Saturn wall switch. Black grid, Mid-Brown glass fascia.
5085EDLW-BR*	C-Bus enhanced DLT, Saturn wall switch. White grid, Mid-Brown glass fascia.
5085EDLB-SS	C-Bus enhanced DLT, Saturn wall switch. Black grid, Stainless Steel fascia.
5085EDLW-SS	C-Bus enhanced DLT, Saturn wall switch. White grid, Stainless Steel fascia.
5085EDLB-HB	C-Bus enhanced DLT, Saturn wall switch. Black grid, Horizon Black fascia, charcoal grey buttons.
5085EDLW-HB	C-Bus enhanced DLT, Saturn wall switch. White grid, Horizon Black fascia, charcoal grey buttons.
5055EDL-WE	C-Bus enhanced DLT, Neo wall switch. White fascia, white buttons.
5055EDL-BK*	C-Bus enhanced DLT, Neo wall switch. Black fascia, black buttons.
5055EDL-GB	C-Bus enhanced DLT, Neo wall switch. Battleship Grey fascia, brushed aluminium cover.
5050C-8*	C-Bus enhanced DLT, Neo style outer cover; brushed aluminium (includes proximity sensor loop).
5000CBF	C-Bus Fly-Lead Terminal (bag of 5).
5000MP	C-Bus enhanced DLT Mounting Plate (box of 5).

Note * denotes a product that is made to order.

Dimensions



C-Bus® eDLT Specifications

Parameter	Description
C-Bus supply voltage	15-36V d.c.
Current requirement	32mA
a.c. impedance	61kΩ
Operating temperature	5-40°C
Storage temperature	0-60°C
Operating relative humidity range	0-90% Non-condensing
C-Bus connection	C-Bus Fly-Lead
Mounting	Magnetic attachment to mounting plate
Application	Indoor use only
Proximity sensor distance	5cm from front (max.)
C-Bus network clock	No
C-Bus network burden	No
Firmware update	Via mini USB socket on back (USB lead not supplied)
Warm-up time	5 seconds
Display type	2.8" WQVGA TFT
Screen (background and foreground) colours available	Black, White, Red, Green, Blue, Cyan, Magenta, Yellow
LED colours	White, Red, Green, Blue, Orange, Yellow, Cyan, Magenta
C-Bus applications	2 User-Definable Lighting, Trigger Control, Enable Control, Multi-Room Audio, Measurement, HVAC (Temperature Display Only), Clock and Timekeeping
Maximum pages	4 + standby page
Maximum widgets	16 control widgets (4 per page) + 5 display widgets (1 per page) + standby page
Standby screen timeout	1-240 seconds (in 1 second increments)
Widgets supported	Lighting
	C-Bus Fan Controller
	HVAC (temperature display only)
	Measurement Application (display only)
	MRA Control
	Scene
	C-Bus Shutter Relay
	Timer
	Time and Date Display

Mechanical Specifications (eDLT)	
Height	123mm
Width	77mm
Depth (total)	35mm
Depth (thickness off wall)	11.2mm
Weight	158.5g

Mechanical Specification (Mounting Plate)	
Height	111.75mm
Width	65.5mm
Depth (thickness maximum)	5.1mm
Mounting centres	84mm
Colour	Black

C-Bus Fly-Lead	
Terminal capacity	2 x 1.5mm ² stranded or solid Cat. 5e UTP network cable
Length (cable)	140mm
Colour	Pink
Weight	9g

To find out more about Clipsal's innovative eDLT, contact your local Clipsal Representative or visit clipsal.com/edlt

Schneider Electric (Australia) Pty Ltd

33-37 Port Wakefield Road, Gepps Cross
South Australia 5094

PO Box 132, Enfield Plaza,
South Australia 5085

National Customer Care Enquiries:
1300 2025 25

clipsal.com

Website: clipsal.com
Contact us: clipsal.com/feedback

You can find this brochure and many others online in PDF format at: **clipsal.com**
Follow the links off the home page or access the following page directly:
clipsal.com/brochures

Schneider Electric (Australia) Pty Ltd reserves the right to change specifications, modify designs and discontinue items without incurring obligation and whilst every effort is made to ensure that descriptions, specifications and other information in this catalogue are correct, no warranty is given in respect thereof and the company shall not be liable for any error therein.

© 2013 Schneider Electric. All Rights Reserved.
Trademarks are owned by Schneider Electric Industries SAS or its affiliated companies.

This document has been printed using FSC Mix Certified paper. ISO 14001 environmental management system in use at mill.